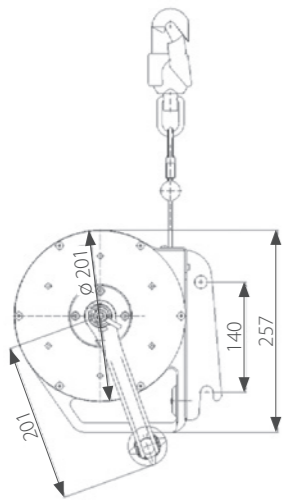
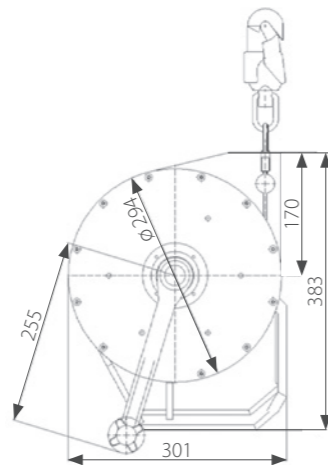


TECHNICAL DATA



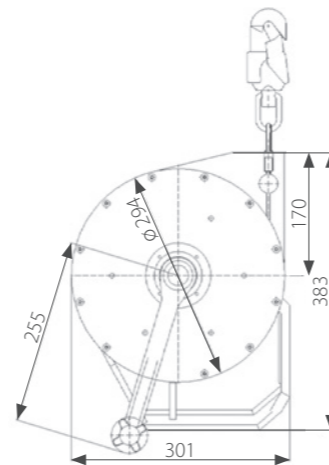
HSRG 10

Rope length: 10 m
Weight: 9,85 kg



HSRG 20

Rope length: 20 m
Weight: 17,35 kg



HSRG 30

Rope length: 30 m
Weight: 18,95 kg

HSRG – Rescue and fall arrest system



Cast aluminum housing

Self-retracting, non-rotating steel rope with extra secured safety hook and swivel

Moving parts of brake and rescue winch in stainless steel and anodized aluminum surface materials.

Approved to EN 360 and EN 1496

Steel with high-grade surface treatment

See diagram for dimensions in mm

We reserve the right for technical changes. Every picture is a symbolic and no liability is taken for pictured applications. See user instruction menu! Lechtaler GmbH taking no liability for improper use and handling.

LECHTALER GMBH MARTIN PSA AND ENVIRONMENT

We follow in all our production chains ecological processes and environmentally compatible ways of production. All parts are recyclable.

Lechtaler GmbH MARTIN PSA

LECHTALER GMBH
Flotzbachstraße 33
6922 Wolfurt
Austria
T +43 (0) 55 74 74 000
office@martin-psa.at
www.martin-psa.at



Presented by:

04/2024

Lechtaler GmbH

MARTIN PSA

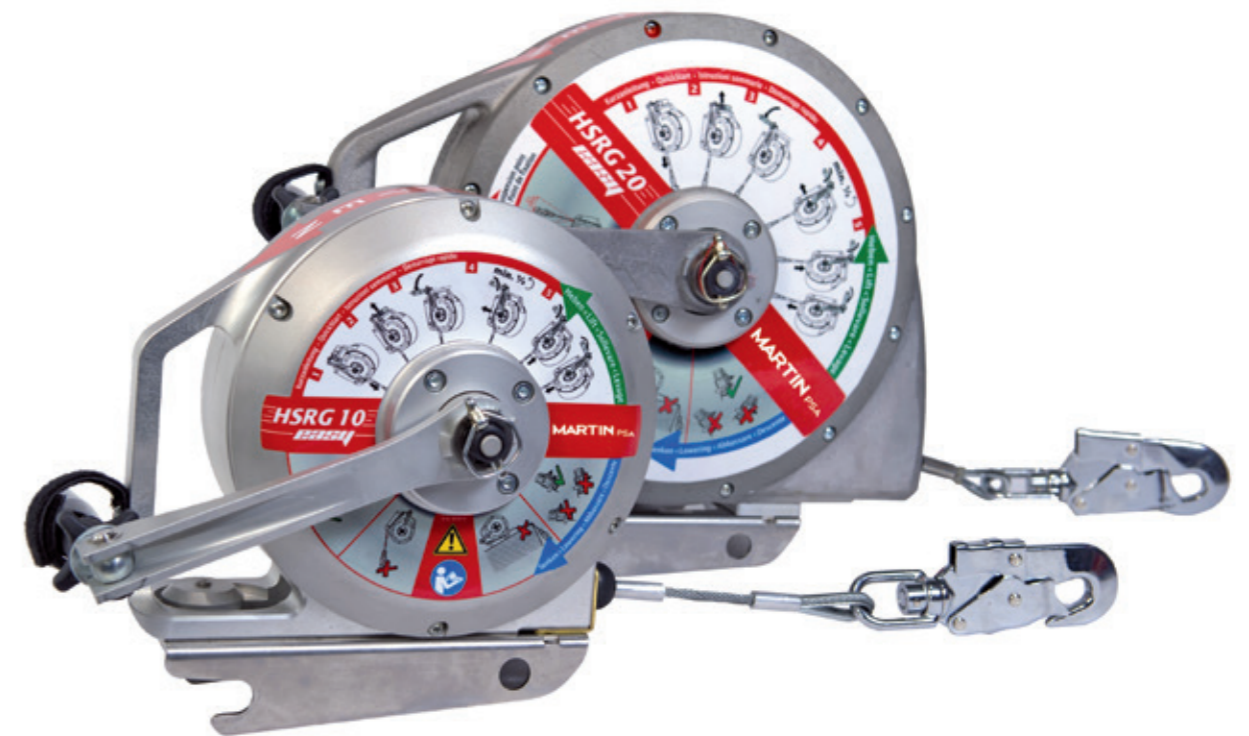
Fall Protection and Rescue Equipment

HSRG – Rescue and fall arrest system

- Maximum corrosion protection with special surface treatment and double-chamber system
- Easy adapter/attachment allows for safe installation within seconds (quick change, mounting plate with safety bolt)
- Versatile use with tripods, powerarms and wall attachment
- High speed rescue lifting with planetary gear box possible
- Ergonomically shaped aluminum housing with additional functions
- Top-grade breaking and fall arrest technology
- Variable cable length (10–30 m)

www.martin-psa.at

Our Highlight
compact
flexible
ultra-light



Modern and innovative design

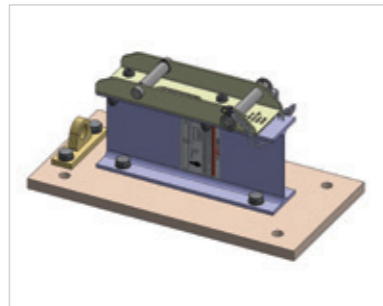
The most modern and innovative fall arrest and recovery block (HSRG) on the market. Made with unique, dirt and splash proof double-chamber system and inertia brake Technology. Manufactured and tested in accordance to stringent quality Guidelines – for the utmost safety and operator convenience.



“EASY” ATTACHMENT



“Easy” attachment
The “Easy” attachment made of stainless steel is adapted to each device (e.g. tripod or powerarm). The safety bolt allows for installation within seconds.



“Easy” attachment with spacer and mounting plate
This attachment developed by Lechtaler GmbH MARTIN PSA allows for quick fixed-installation of our HSRG. It is deployable as a fixed anchor point, to be mounted on walls, steel or concrete structures. EN 795 compliant.



HSRG with “Easy” attachment/ adapter

CARRYING CASE

Carrier case made of steel sheet for protected and safe housing during transport and storage (incl. PE-foam insert).

Ident-Nr. 68214 Carrying case for HSRG 10
Ident-Nr. 68215 Carrying case for HSRG 20/30

Ident-Nr. 67999 Case insert for HSRG 10 made of PE L24
Ident-Nr. 68000 Case insert HSRG 20/30 made of PE L24



OUR NEW PRODUCT

SPECIALITIES OF THE HSRG



Three rope length
available in three rope lengths 10 m, 20 m, 30 m.

Double-chamber system
Chamber 1 serves as wire compartment. Secure wire exit and coiling. Chamber 2 is sealed and contains all sensible parts like fall brake and rescue mechanics.

Planetary gearing
The planetary gear box accounts for quick reaction of fall arrest and for a fast and little effort rescue.



Gear Set
The planetary gear box accounts for optimum power transmission.

The aluminum mold housing (HSRG 10, 20 and 30) offers EN 795 compliant attachment. Spray water resistant.



Anti-twist swivel hook
The anti-twist swivel hook prevents rotation of the cable and provides the operator with complete freedom of secured movement.

**Lechtaler GmbH
MARTIN PSA
Design
Construction
Manufacture**

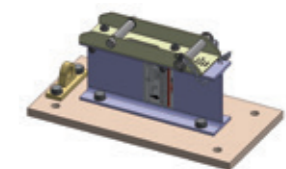
APPLICATIONS



PHK II-E XL PHK II-E PHK II-S



MOBILE – PRO II FIXED – ECO II FIXED – ECO II-XL



Installation to powerarm
PHK II-S, PHK II-E and PHK II-E XL
Installed as an anchor point approved to EN 795: 2012 / TS16415, the attachment allows for HSRG installation within seconds.

Installation to Tripod MOBILE – PRO II, Tripod FIXED – ECO II and ECO II-XL
Installed on tripods with an anchor point approved to EN 795: 2012 / TS 16415, the attachment allows for HSRG installation within seconds.

Spacer “Easy” with mounting plate for HSRG – 180° turnable for 2 people
Easy attachment in stainless steel and spacer zinc plated
Anchor point Type A according to DIN EN 795:2012